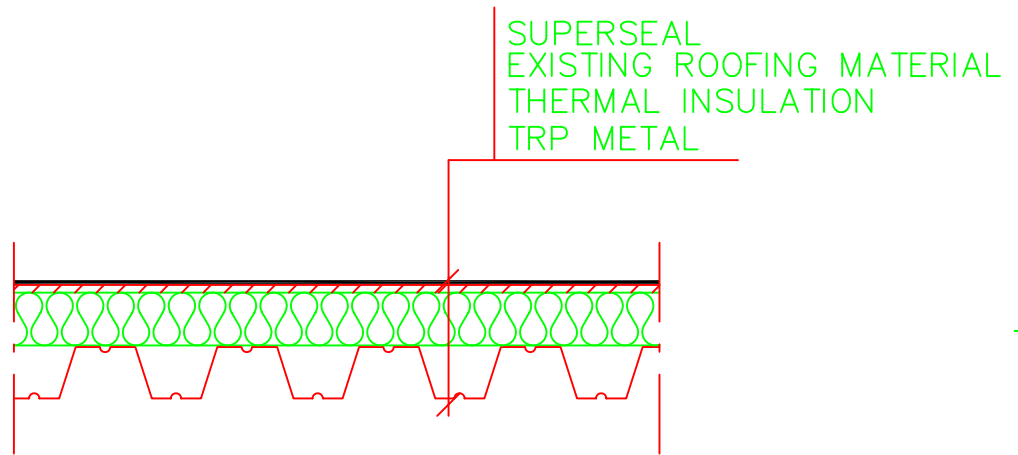


MECHANICALLY ATTACHED/
ADHERED, RENOVATION

DATE: FEB.2002

SCALE: 1:10

DETAIL: T.3.2.2

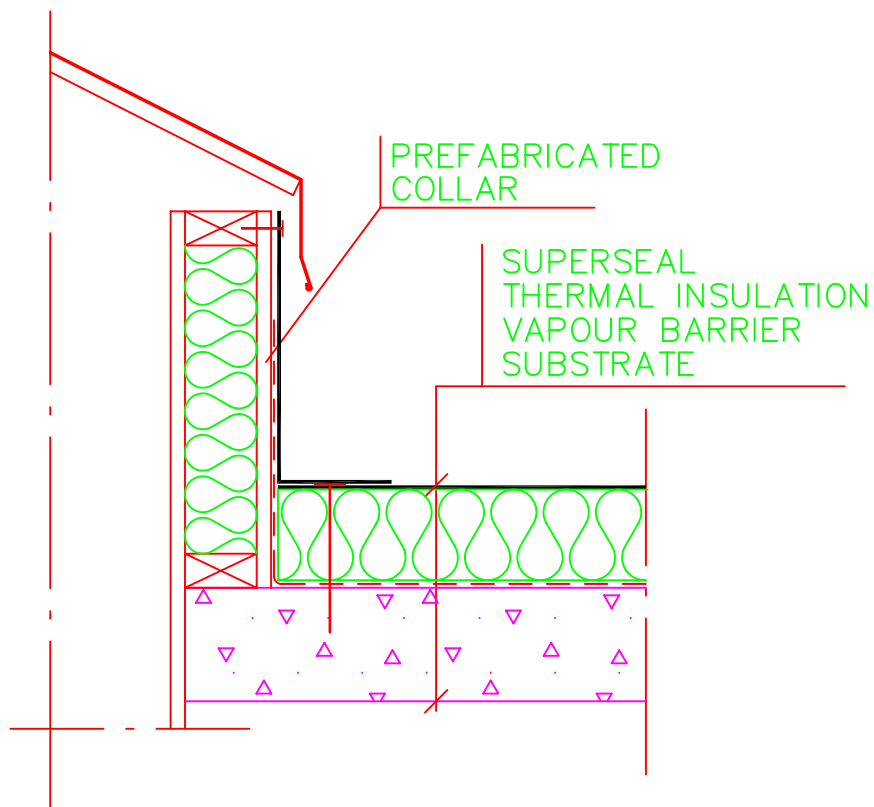


PREFABRICATED COLLAR

DATE: FEB.2002

SCALE: 1:10

DETAIL: D.3.1

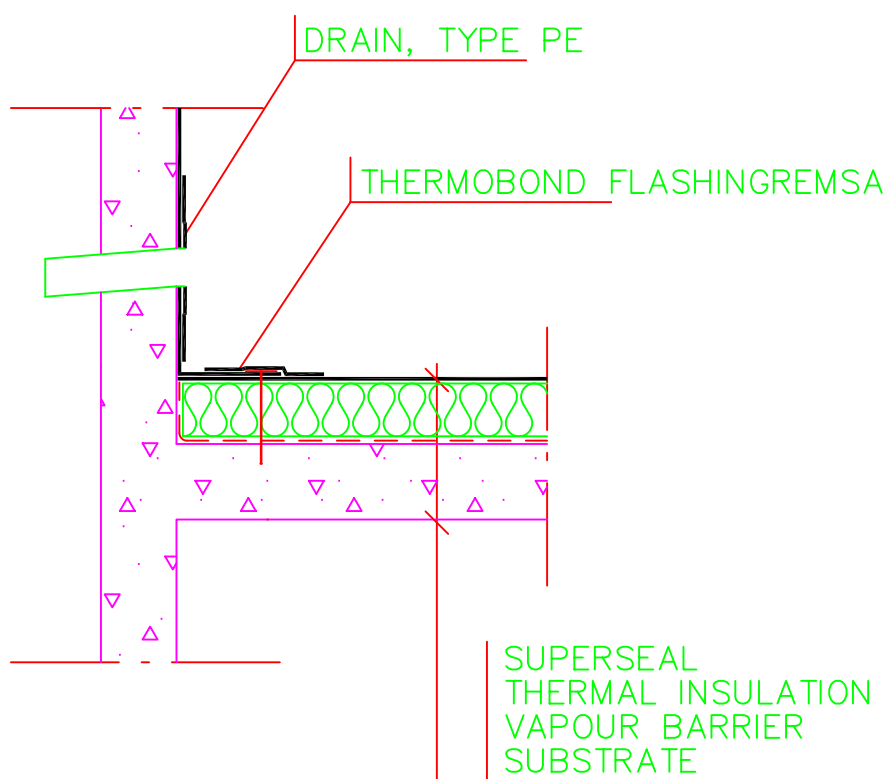


HORIZONTAL DRAIN
TYPE PE

DATE: FEB.2002

SCALE 1:10

DETAIL: D.5.1

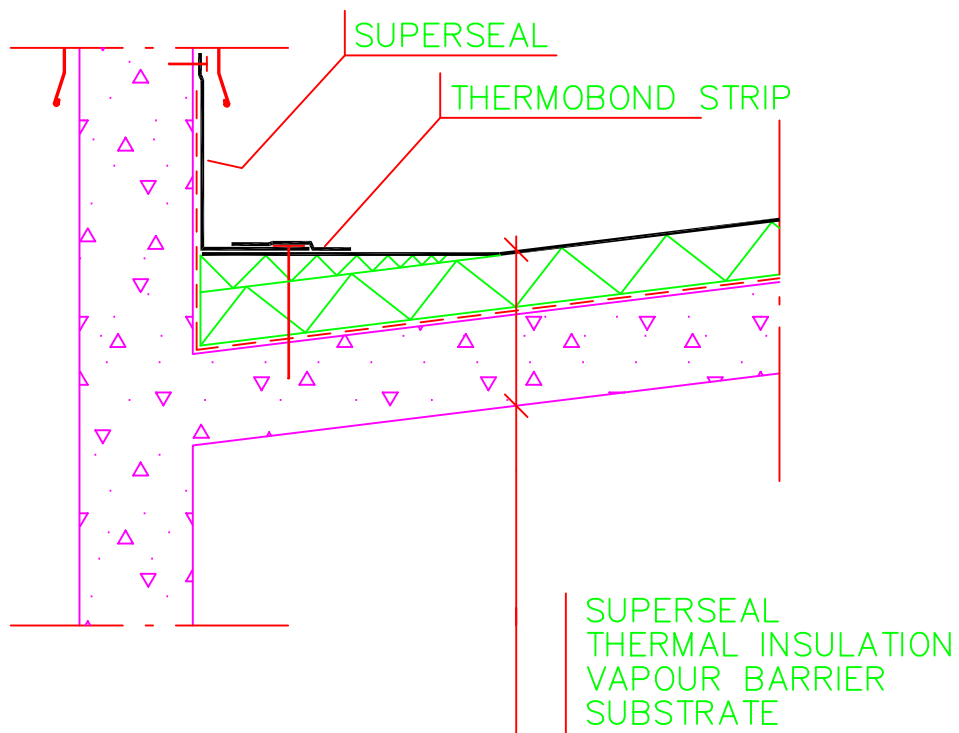


GUTTERLINE AT VERTICAL

DATE: FEB. 2002

SCALE: 1:10

DETAIL: D.8.2

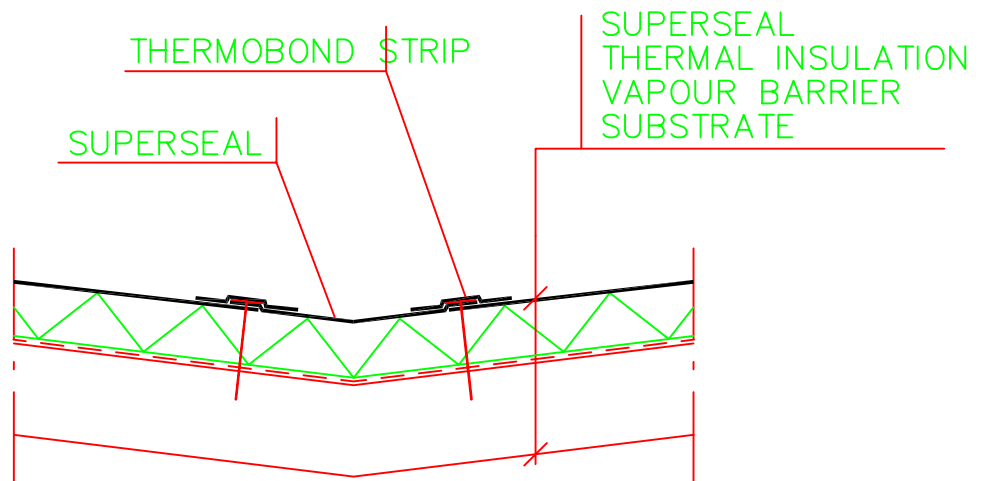


GUTTERLINE

DATE: FEB.2002

SCALE: 1:10

DETAIL: D.8.1



THERMOBOND LAMINATED
PERIMETER SHEET METAL EDGE

DATE: FEB.2002

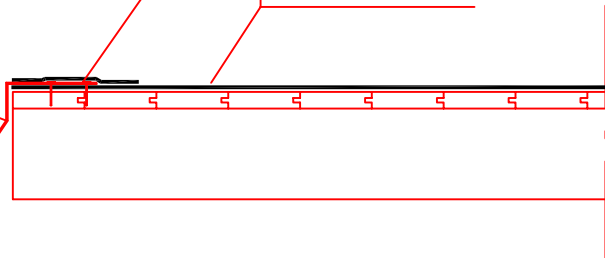
SCALE: 1:10

DETAIL: D.7.2

THERMOBOND LAMINATED
PERIMETER SHEET METAL EDGE

THERMOBOND STRIP

SUPERSEAL



TRELLEBORG

BUILDING SYSTEMS

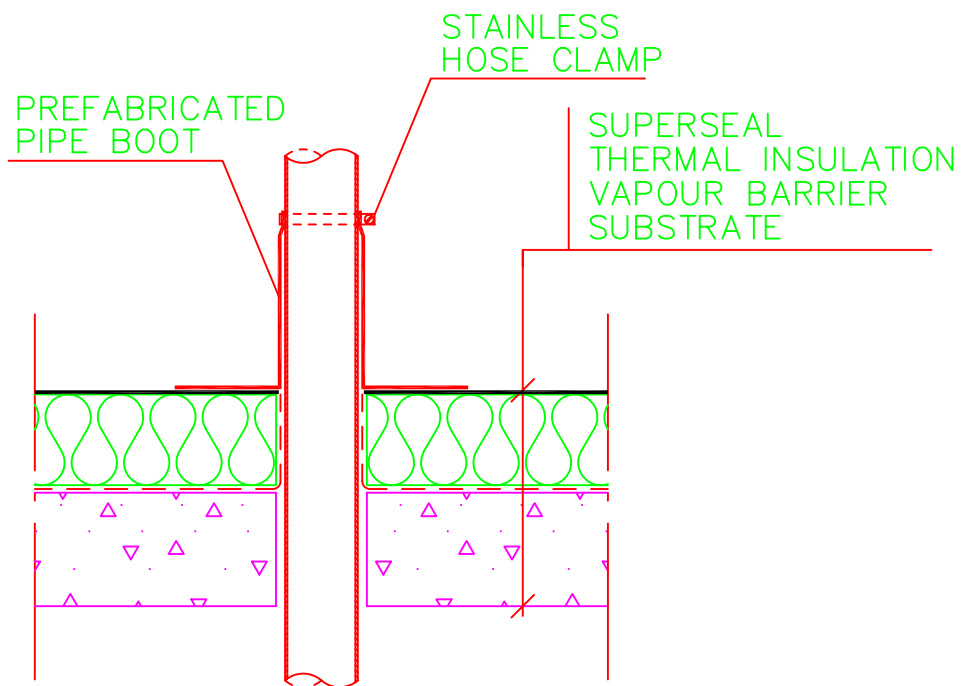
Rubber Membranes

PIPE PENETRATION

DATE: FEB. 2002

SCALE 1:10

DETAIL: D.2.1

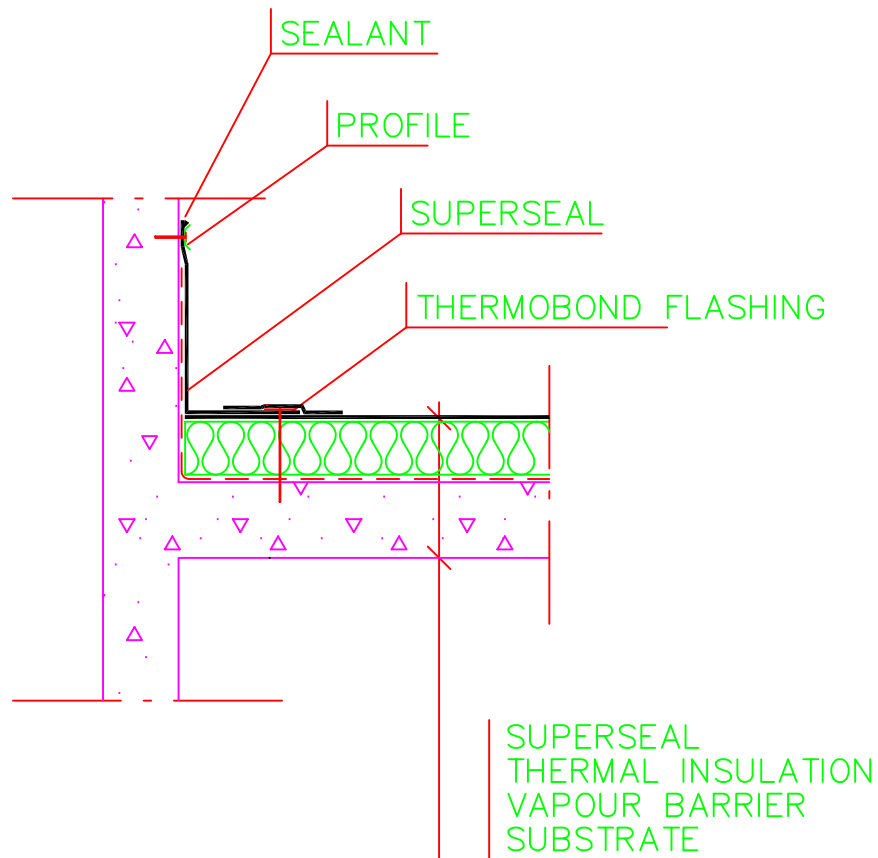


UPSTAND WALL WITH PROFILE

DATE: FEB.2002

SCALE: 1:10

DETAIL: D.4.2

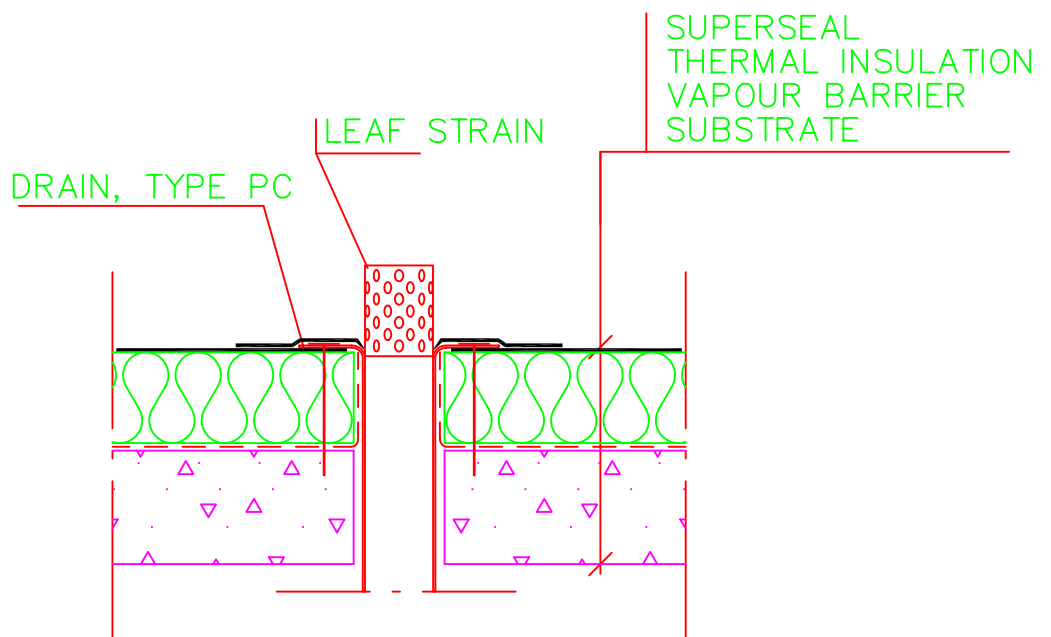


DRAIN
EXPOSED MEMBRANE

DATE: FEB. 2002

SCALE: 1:10

DETAIL: D.1.1



TRELLEBORG

BUILDING SYSTEMS

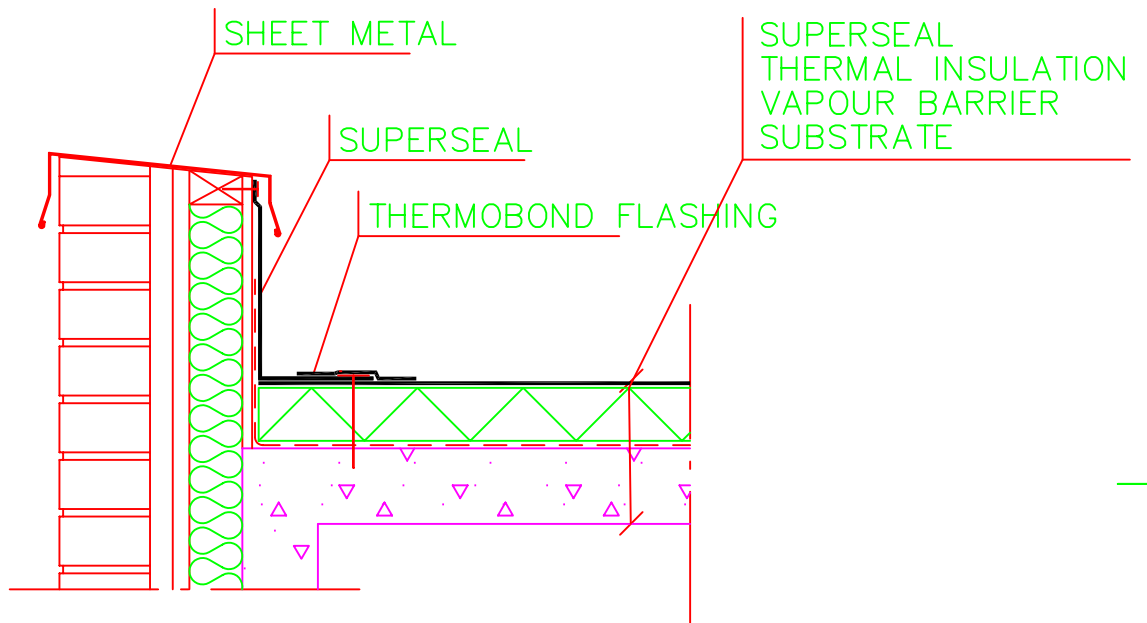
Rubber Membranes

UPSTAND

DATE: FEB.2002

SCALE: 1:10

DETAIL: D.4.1



TRELLEBORG

BUILDING SYSTEMS

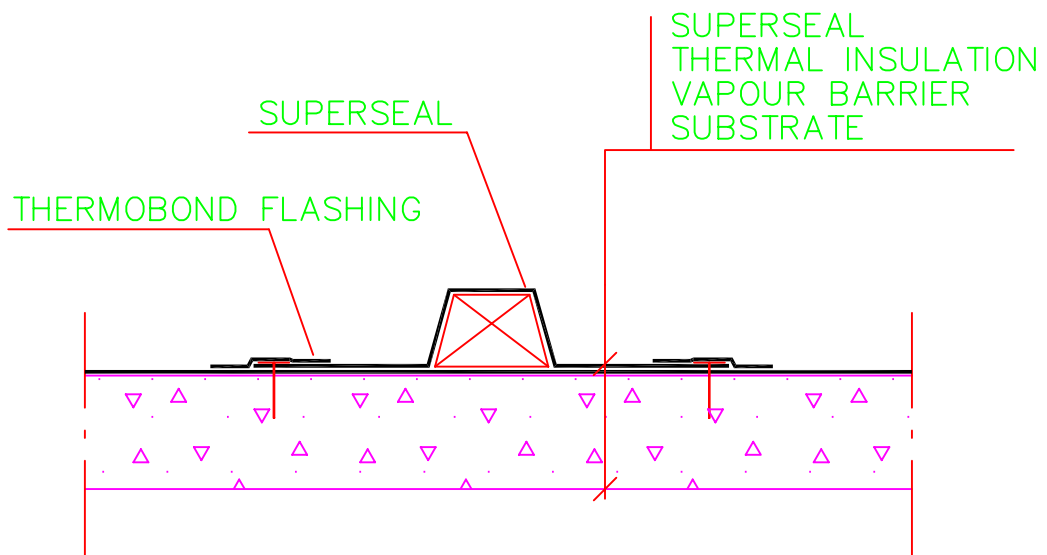
Rubber Membranes

PARAPET

DATE: FEB.2002

SCALE: 1:10

DETAIL: D.10.1

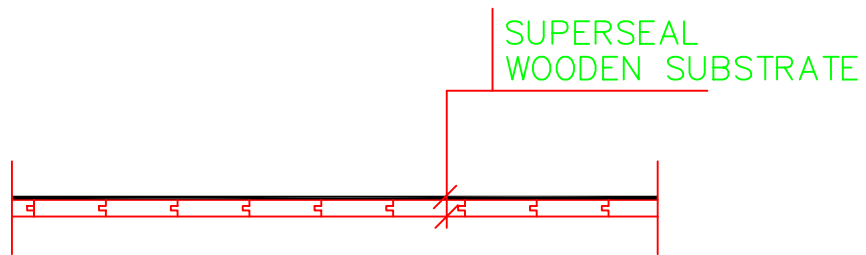


MECHANICALLY ATTACHED/
ADHERED ON WOOD

DATE: FEB. 2002

SCALE: 1:10

DETAIL: T.1.3.2



MECHANICALLY ATTACHED/
ADHERED ON CONCRETE

DATE: FEB.2002

SCALE: 1:10

DETAIL: T.1.1.2

